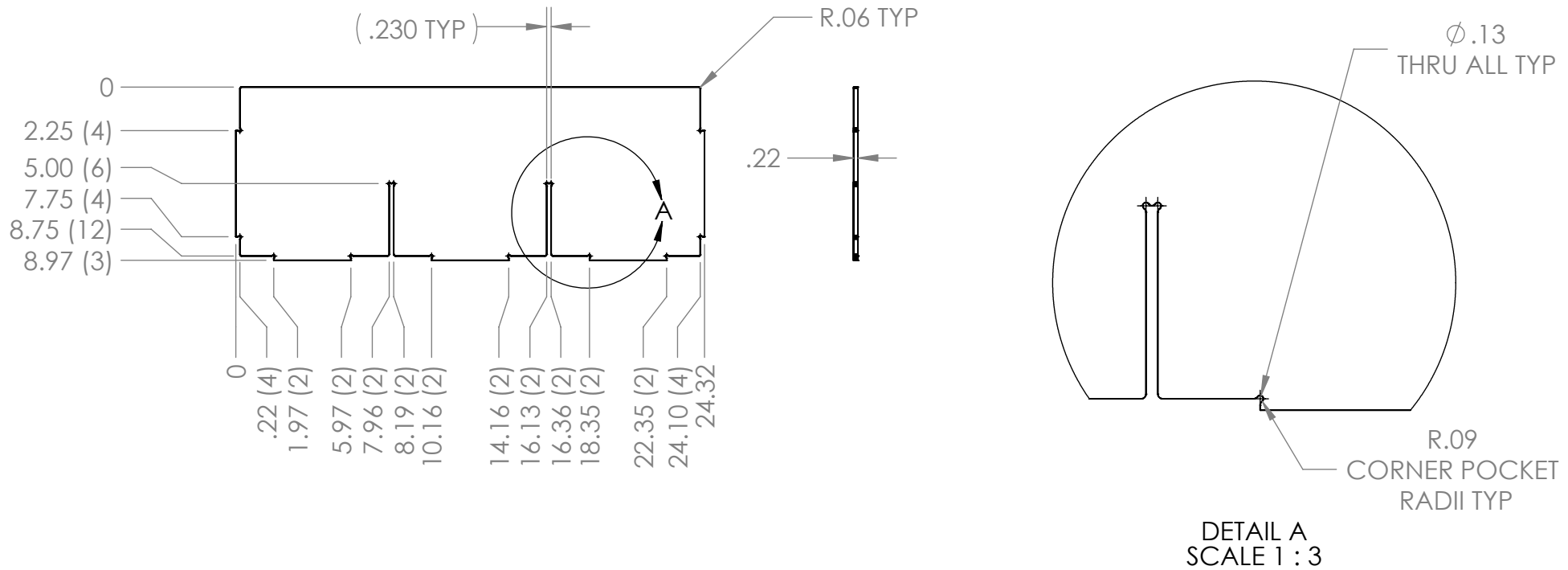
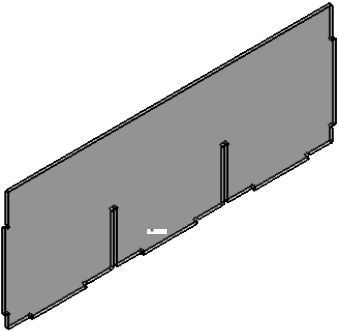



REVISION HISTORY			
REV.	DESCRIPTION	DATE	DRAWN BY
1	ORIGINAL PRINT	9/4/2025	P. YEUNG



DETAIL A
SCALE 1 : 3

*** SEE CAD FOR ADDITIONAL TOOLPATH INFO***



UNLESS OTHERWISE SPECIFIED:		COMMENTS:				
DIMENSIONS ARE IN INCHES		DUAL DIMENSIONS ARE IN MILLIMETERS.				
TOLERANCES:		BREAK ALL SHARP EDGES.		TITLE:		
FRACTIONAL	±1/16			EVERYPIT BASE PLATE		
ANGULAR: MACH	±1°					
ANGULAR: BEND	±5°					
ONE PLACE DECIMAL	±0.1					
TWO PLACE DECIMAL	±0.01			SIZE	DWG. NO.	REV
THREE PLACE DECIMAL	±0.005	CHECKED	NAME	A	am-5676_baseplate	1
FOUR PLACE DECIMAL	±0.0005	ENG APPR.	DATE	SCALE: 1:8		
MATERIAL CLEAR PC		MFG APPR.		SHEET 1 OF 1		
rm-0031a		Q.A.				
FINISH DEBURRED		DO NOT SCALE DRAWING				